

1D LASER

OPL 7836

Handheld Barcode Scanner



The OPL 7836 is a compact handheld laser scanner that naturally fits the hand. The pistol grip is designed for comfortable use all day.

Product Features

Plug and Scan

The plug and play ability of the OPL 7836 allows the user to quickly connect and operate the scanner, thus putting its exceptional scanning performance to immediate use.

High Performance

High performance 1D linear scanner provides a fast and accurate first time scan and is immediately ready for the next scan even when the barcodes are printed with low contrast or high density.

Ergonomic and Light Weight

Ergonomic design featuring a sleek, lightweight, and balanced design provides a comfortable fit for all day extended use. Weighing only 100 g (3.5 oz), this pistol grip scanner reduces physical stress and user fatigue providing maximum comfort during operation.

Durable Construction

The OPL 7836 is designed to endure the rigors of everyday use and withstands drops of up to 1.5 m (5 ft) onto concrete. Made of high-quality material that feels solid in the hand, it is perfect for general scanning.

Cabled

Wireless

Stationary

OEM

OPTICON
always scanning for new ID's

Specifications

OPL 7836 Handheld Barcode Scanner

Electrical specifications

Voltage requirement: 5 V \pm 10%

Current consumption: max. 150 mA

Optical specifications

Light source: 650 nm visible laser diode

Scan method: Bi-directional scanning

Scan rate: 100 scans/sec

Reading pitch angle: -35 to 0°, 0 to +35°

Reading skew angle: -50 to -8°, +8 to +50°

Reading tilt angle: -20 to 0°, 0 to +20°

Curvature: R>15 mm (EAN8), R>20 mm (EAN13)

Reading width: depending on reading distance and barcode label resolution

Min. resolution at PCS 0.9: 127 mm / 5 mil

Min. PCS value: 0.45

Depth of field: at PCS 0.9, Code 39

50 - 500 mm / 1.97 - 19.69 in (res. 1.0 mm / 39 mil),

30 - 300 mm / 1.18 - 11.81 in (res. 0.5 mm / 20 mil),

30 - 240 mm / 1.18 - 9.45 in (res. 0.25 mm / 10 mil),

30 - 130 mm / 1.18 - 5.12 in (res. 0.15 mm / 6 mil),

40 - 100 mm / 1.57 - 3.94 in (res. 0.127 mm / 5 mil)

Communication specifications

Available interfaces: Keyboard Wedge, RS232C, USB(HID/VCP)

Identification

Supported barcode symbologies (1D): JAN/UPC/EAN (WPC) incl. add on, Chinese Post, Codabar/NW-7, Code 11, Code 39, Code 93, Code 128, IATA, Industrial 2of5, Interleaved 2of5, ISBN-ISMN-ISSN, Korean Postal Authority code, Matrix 2of5, MSI/Plessey-UK/Plessey, RSS, S-Code, Telepen, Tri-Optic, Composite codes

Supported 2D code symbologies: MicroPDF417, PDF417

Functionality

Trigger mode: manual, auto-trigger

Environmental specifications

Temperature in operation: -5 to 50 °C / 23 to 122 °F

Temperature in storage: -20 to 60 °C / -4 to 140 °F

Humidity in operation: 20 - 85 % (non-condensing)

Humidity in storage: 10 - 90 % (non-condensing)

Ambient fluorescent light rejection: 3,000 lx max.

Ambient direct sun light rejection: 50,000 lx max.

Ambient incandescent light rejection: 3,000 lx max.

Antistatic electricity: 15 kV (non-destructive)

Shock drop test: 1.5 m / 5 ft drop onto concrete surface

Shock vibration test: 10 - 100 Hz with 2G for 30 min

Protection (dust and moisture, IEC529): IP x2

Physical specifications

Dimensions: 145 x 113 x 55 mm / 5.70 x 4.44 x 2.16 in

Case material: ABS

Weight body: Ca. 100 g / 3.5 oz (excl. cable)

Available colors: Black, White

Connector Keyboard Wedge: MiniDIN6 F/M

Connector RS232: DB9 F with external power

Connector USB: USB-A

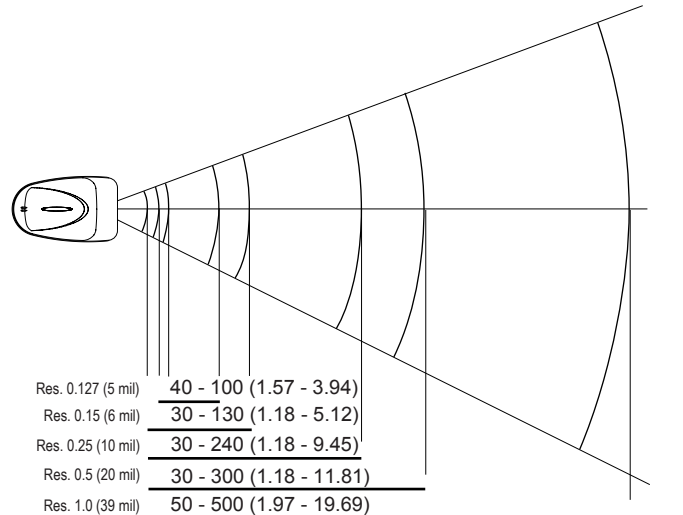
Regulatory

Laser safety class: JIS-C-6802 Class 1, IEC 60825-1 Class 1, FDA CDRH Class I

Product compliance: CE, FCC, RoHS

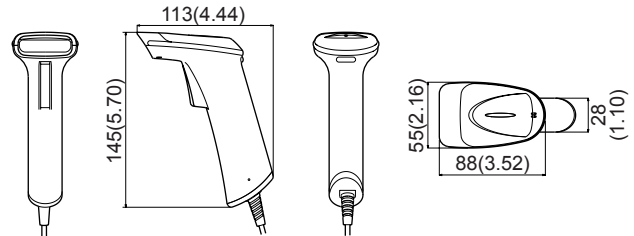
Depth of field

Unit: mm (in)



Dimensions

unit: mm (in)



Accessories

Sold separately

Power supply: 5V/500mA (External power for RS232)